

# ISS360HD

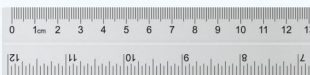
## HIGH PERFORMANCE IMAGING SONAR

**IMPACT  
SUBSEA**  
INNOVATIVE SENSORS



### FEATURES & BENEFITS

- > **100 METER RANGE**  
Long range imaging.
- > **6,000M DEPTH RATING**  
Ideal for shallow and deep water.
- > **PITCH & ROLL\***  
Provides Pitch and Roll to 0.2° accuracy.
- > **SMALL FORM FACTOR**  
Highly compact high resolution imaging sonar.
- > **BROADBAND TRANSDUCER**  
Excellent image quality & range.
- > **NO SLIP RINGS**  
No components to wear.



Impact Subsea are proud to present the high resolution imaging sonar - the ISS360HD.

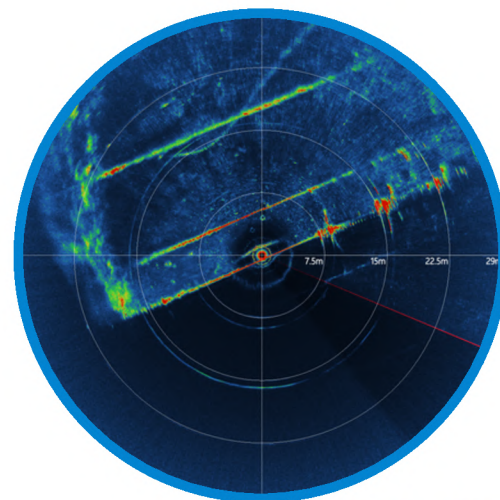
Optionally available with integrated Pitch & Roll.

Utilising a broadband composite transducer coupled with IS<sup>3</sup> Impact Subsea Signalling Scheme enables a significant increase in range resolution while maintaining excellent accuracy and range capability.

For applications where Sonar Imaging, Pitch & Roll are required; all can be provided from a single device.

IS<sup>3</sup> Impact Subsea Signalling Scheme uses advanced phase modulation and coding techniques to provide exceptional signal integrity, timing accuracy and range resolution.

Provided in a highly robust Titanium housing. The unit can be supplied without pitch and roll. Alternative configurations are available upon request.



### APPLICATIONS INCLUDE:

ROV & AUV Navigation | Target Identification | Diver Navigation |  
Port Surveillance | Motion Reference | Search & Recovery |

\*Optional



impactsubsea.com



# ISS360HD

## HIGH PERFORMANCE IMAGING SONAR

### ACOUSTIC

Frequency	750kHz Centre 600 to 900kHz Bandwidth
Range	0.45 to 100 meters
Resolution	2.5mm (minimum)
Beam Angle	30° Vertical at 700kHz 1° Horizontal at 700kHz
Signalling Selectable	CW, CHIRP & IS <sup>3</sup>
Step Size Selectable	0.225°, 0.45°, 0.9°, 1.8°, 3.6° & 7.2°
Scan Angle	360° Continuous or Sector Scan

### PHYSICAL

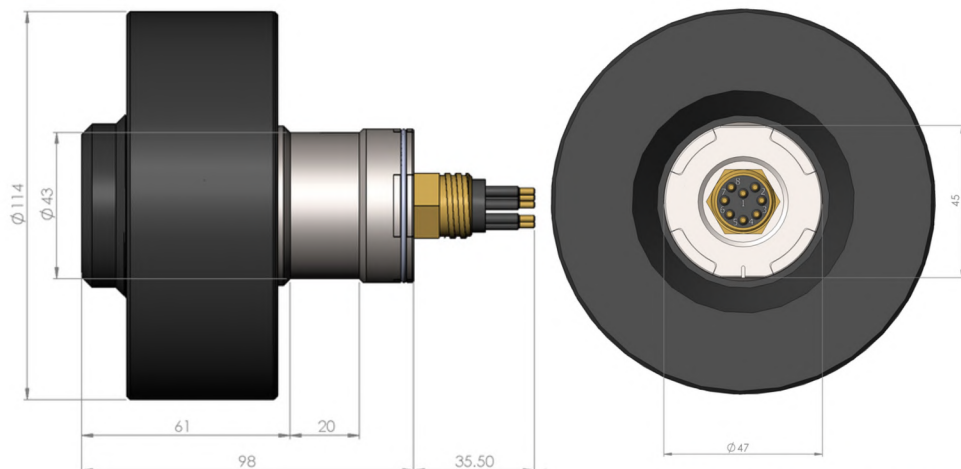
Depth Rating	6,000m
Temperature	-10 to 40°C Operating -20 to 60°C Storage
Connector	Subconn MCBH8M-SS <i>Other options available</i>
Weight <i>Air/Fresh water</i>	0.76/0.3kg

### ATTITUDE\*

Pitch	± 90°
Roll	± 180°
Accuracy	0.2°
Resolution	0.1°

### COMMS & POWER

Digital	RS232, RS485 & Ethernet
Protocol	9600 to 115,200 baud
Input Voltage	12 to 65V DC
Power Standby	84mA @ 24V DC
Power Scanning <sup>1</sup>	261mA @ 24V DC



*Dimensions given in mm.*

\*Optional

<sup>1</sup> Based on maximum power level and scanning speed.