

ISP360

HIGH PERFORMANCE PROFILING SONAR



FEATURES & BENEFITS

- > **80 METER RANGE**
Long range profiling.
- > **4,000M DEPTH RATING**
Ideal for shallow and deep water.
- > **PITCH & ROLL***
Provides Pitch and Roll to 0.2° accuracy.
- > **SMALL FORM FACTOR**
Highly compact high resolution profiling sonar.
- > **NO SLIP RINGS**
No components to wear.
- > **IMAGING & PROFILING**
Imaging and Profiling modes of operation.

Impact Subsea are proud to present the high resolution profiling sonar - the ISP360.

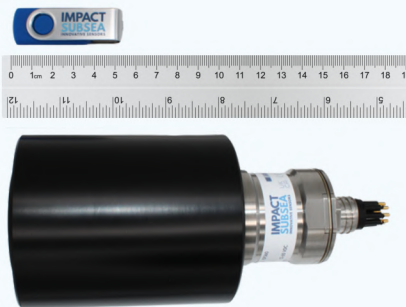
Optionally available with integrated Pitch & Roll.

Utilising a broadband composite transducer coupled with IS³ Impact Subsea Signalling Scheme enables a significant increase in range resolution while maintaining excellent accuracy and range capability.

For applications where Sonar Profiling, Pitch & Roll are required; all can be provided from a single device.

The IS³ Impact Subsea Signalling Scheme also allows multiple profilers to run without the need to 'ping-sync', enabling an increase in profiling speed.

Provided in a highly robust Titanium housing. Alternative configurations are available upon request.

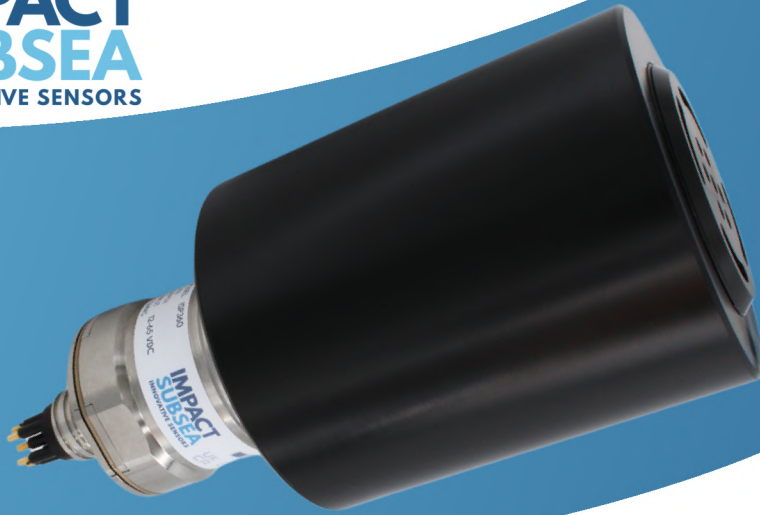


APPLICATIONS INCLUDE:

Pipeline Profiling | Trench Profiling | Positioning of a Vehicle in a Tank |
Internal Pipe and Tank Profiling | Asset Positioning | Bridge Foundation Survey |

*Optional





ISP360

HIGH PERFORMANCE PROFILING SONAR

ACOUSTIC

Frequency	650kHz to 1.25MHz Bandwidth
Range (650kHz)	0.30 to 80 meters
Range (1.25MHz)	0.30 to 40 meters
Timing Accuracy	0.35 mm (minimum)
Beam Angle	2° Conical at 650kHz 1° Conical at 1.25MHz
Signalling Selectable	CW, CHIRP & IS ³
Step Size Selectable	0.225°, 0.45°, 0.9°, 1.8°, 3.6° & 7.2°
Scan Angle	360° Continuous or Sector Scan

ATTITUDE*

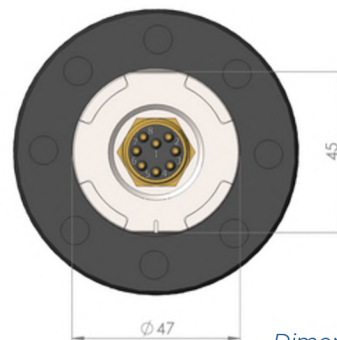
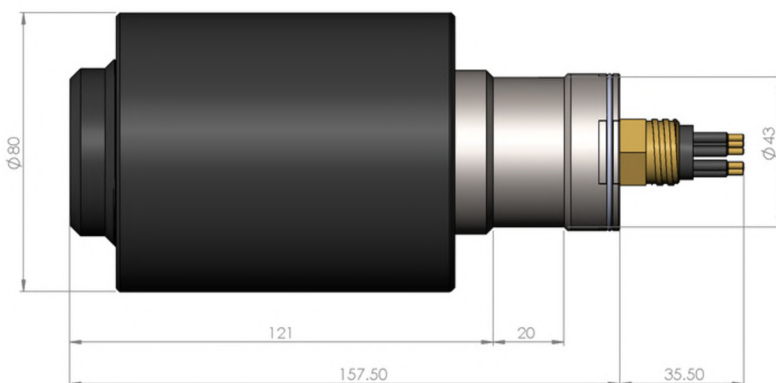
Pitch	± 90°
Roll	± 180°
Accuracy	0.2°
Resolution	0.1°

COMMS & POWER

Digital	RS232, RS485 & Ethernet
Protocol	9600 to 115,200 baud
Input Voltage	12 to 65V DC
Power Standby	260mA @ 24V DC
Power Scanning ¹	380mA @ 24V DC

PHYSICAL

Depth Rating	4,000m
Temperature	-10 to 40°C Operating -20 to 60°C Storage
Connector	Subconn MCBH8M-SS <i>Other options available</i>
Weight <i>Air/Fresh water</i>	0.88/0.31kg



Dimensions given in mm.

*Optional

¹ Based on maximum power level and scanning speed.