

# ImpactSubsea

Innovative Underwater Products

## ISP2 – Subsea Pressure Pod



**Impact Subsea** is proud to present the **ISP2** – a Subsea Pressure Pod, with configurable endcaps and overall length.

The **ISP2** provides a highly cost-effective subsea housing for a variety of underwater applications.

Each end cap can accommodate multiple connectors allowing connection to multiple subsea sensors or other underwater devices.

Sufficient room is provided inside for housing electronics or batteries at atmospheric pressure.

All subsea housings are pressure tested and are provided with a pressure test certificate.

### Features

#### Large Internal Area

### Benefits

Ideal for housing batteries, data loggers and bespoke electronic and sensor solutions

#### Multiple Connectors

To connect to other subsea equipment

#### Small Diameter

Ideal for mounting to an ROV, AUV or Subsea Tooling

#### Lightweight

Perfect for applications where weight is critical

#### 2,000m Depth Rating

Capable of withstanding significant pressure

### Applications

Data Logger

Camera

Subsea Display

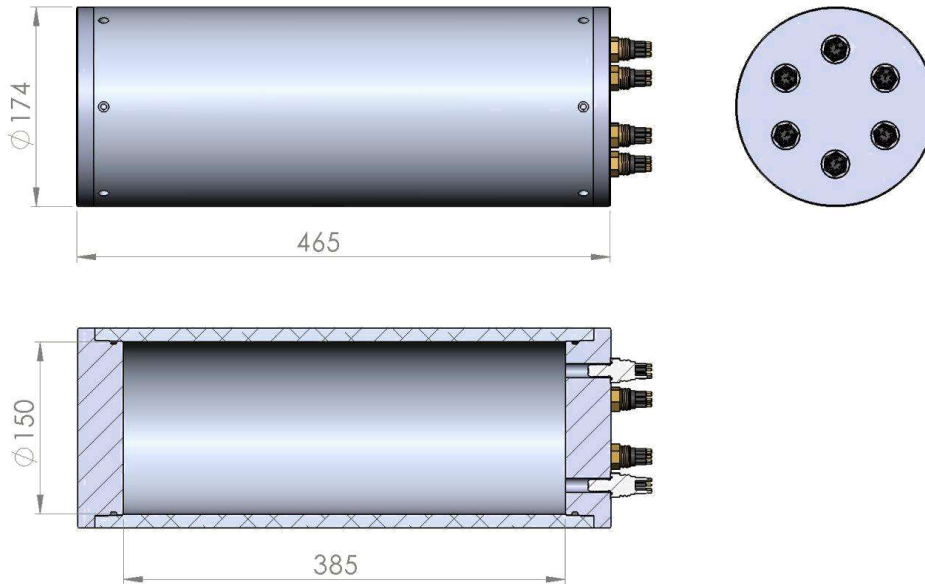
Instrumentation

Battery Pod

# ImpactSubsea

Innovative Underwater Products

## ISP2 – Subsea Pressure Pod



Shown above is an example ISP2 configuration.  
Other custom housing designs and connector options are available.  
All dimensions are in mm.

### ISP2

<i>Weight</i>	Dependent on configuration
<i>Depth Rating</i>	2,000m
<i>Body Material</i>	Hard Coat Anodised Aluminium (7075-T6)
<i>Endcap Material</i>	Anodised Aluminium (7075-T6) or Titanium
<i>Endcap Locking Method</i>	Stainless Steel Screws
<i>Connector(s)</i>	Endcap modified to suit connector requirements

[sales@impactsubsea.co.uk](mailto:sales@impactsubsea.co.uk)  
**+44 (0) 1224 460 850**  
[www.impactsubsea.com](http://www.impactsubsea.com)