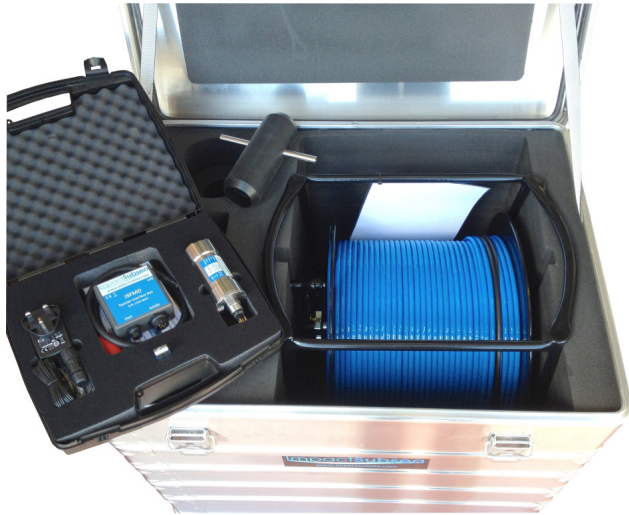


# ImpactSubsea

Innovative Underwater Products

## ISFMD – Flooded Member Detection System



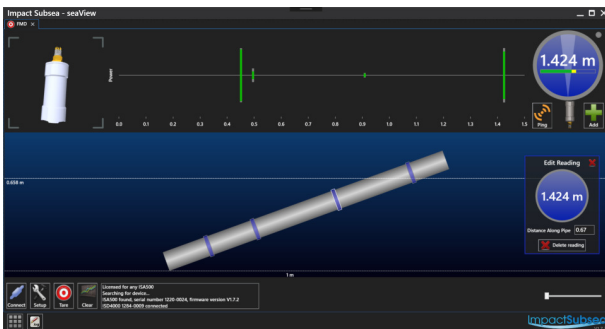
**Impact Subsea** is proud to present the ground breaking **ISFMD Flooded Member Detection** system.

Suitable for Diver or ROV use, the **ISFMD** provides the most advanced and reliable acoustic Flooded Member Detection system available today.

Utilising a broadband composite transducer probe together with an advanced digital acoustic engine; provides the highest level of accuracy and reliability in readings.

An optional depth sensor can be added to the system, to automatically record depth of each check point.

All readings are shown visually in the seaView software package. A final report of all readings taken is automatically generated – ensuring all data is accurately recorded.



### Features

seaView Software

Titanium Probe

Integrated AHRS

Multi-Echo Output

Depth

### Benefits

Visualise all readings & generate a survey report

Highly robust and long lasting sensor probe

Understand exact orientation of probe at time of contact reading

Visualise return if flooded member is detected

Using the ISD4000, log the depth & temperature at point of reading

### System Components:

ISA500 Probe

seaView FMD App

ISD4000 Depth Sensor\*

100 or 200m Cable\*

Topside Power Supply\*

Probe Holder \*

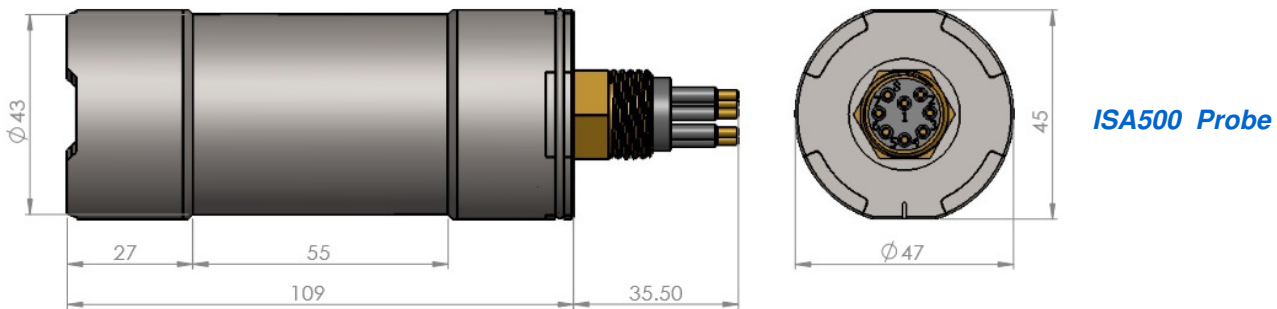
\* Optional

[www.impactsubsea.com](http://www.impactsubsea.com)

# ImpactSubsea

Innovative Underwater Products

## ISFMD – Flooded Member Detection System



Acoustic	
<i>Frequency</i>	500kHz Standard 400 to 600kHz Selectable
<i>Range</i>	0.1 to 120m (Maximum range dependant on member type)
<i>Resolution</i>	1mm
<i>Beam Angle</i>	6° conical at 500kHz
<i>Signalling</i>	Monotonic
<i>Pulse Length</i>	Auto/User Defined
Communications & Power	
<i>Digital</i>	RS232 & RS485
<i>Protocol</i>	300 to 115,200 baud
<i>Analogue</i>	0 to 5V DC, 0 to 10V DC or 4-20mA
<i>Data</i>	Continuous or on demand
<i>Data Rate</i>	Up to 10Hz
<i>Input Voltage</i>	9 to 36V DC
<i>Power (No Altitude)</i>	25mA @ 24V DC
<i>Power (With Altitude)*</i>	51mA @ 24V DC

Heading	
<i>Accuracy</i>	± 1°
<i>Resolution</i>	0.1°
Attitude	
<i>Pitch</i>	± 90°
<i>Roll</i>	± 180°
<i>Accuracy</i>	0.2°
<i>Resolution</i>	0.1°
Physical	
<i>Weight (Air / Fresh Water)</i>	0.5/0.325kg (Titanium)
<i>Depth Rating</i>	4,000m (Titanium)
<i>Temperature</i>	-10 to 40° operating -20 to 50° storage
<i>Connector</i>	Subconn MCBH8M-SS other options available

Specifications subject to change in line with product enhancements. Rev 1.1

[sales@impactsubsea.co.uk](mailto:sales@impactsubsea.co.uk)  
**+44(0)1224 460 850**  
[www.impactsubsea.com](http://www.impactsubsea.com)