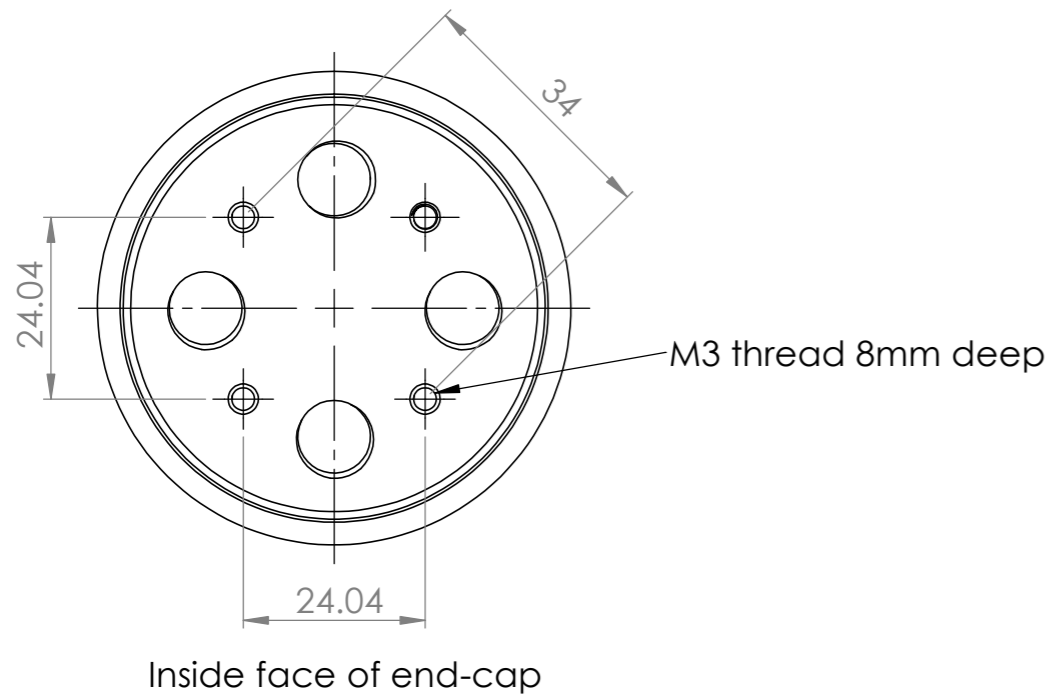


SECTION A-A



All dimensions are in millimeters unless otherwise specified. Debur and break sharp edges. Do not scale drawing.

ImpactSubsea
www.impactsubsea.com
Tel: 01224 460850

Title: ISP1 Dimensions

Drawing No. 0000-1323

Revision: 1

Material:

Linear Tolerance: ±0.1

Angular Tolerance: ±1

Date: 06/04/2016

A3

Scale 1:2

Sheet 1 of 1